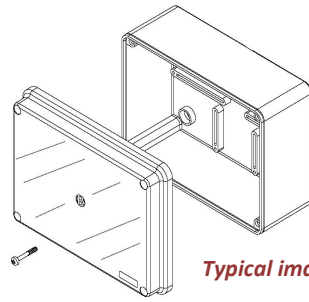
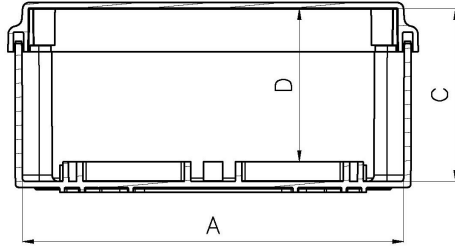


PC-1295C



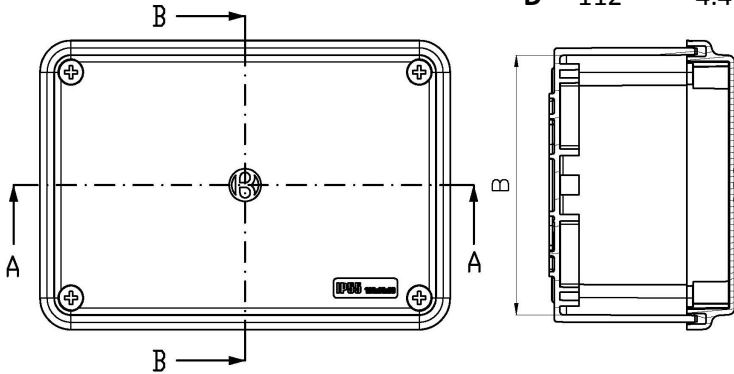
Typical image

Basic Internal Dimensions

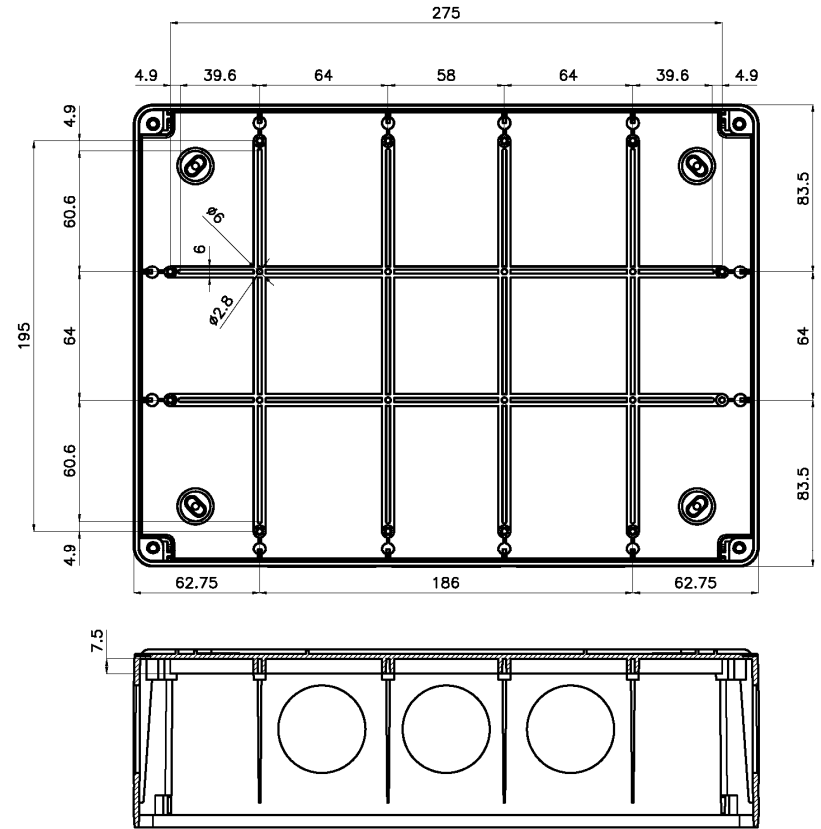


Dimensions:

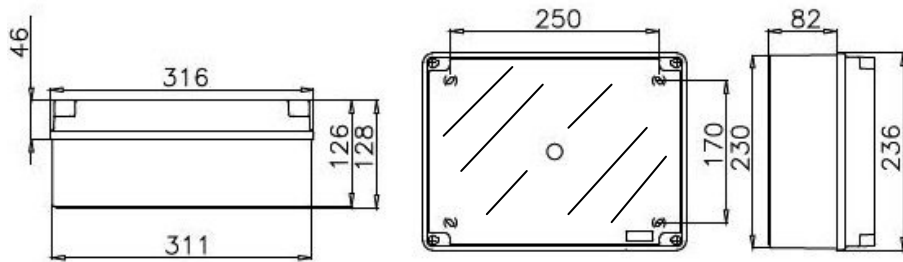
	mm	in.
A -	305	12.01
B -	225	8.86
C -	121	4.76
D -	112	4.41



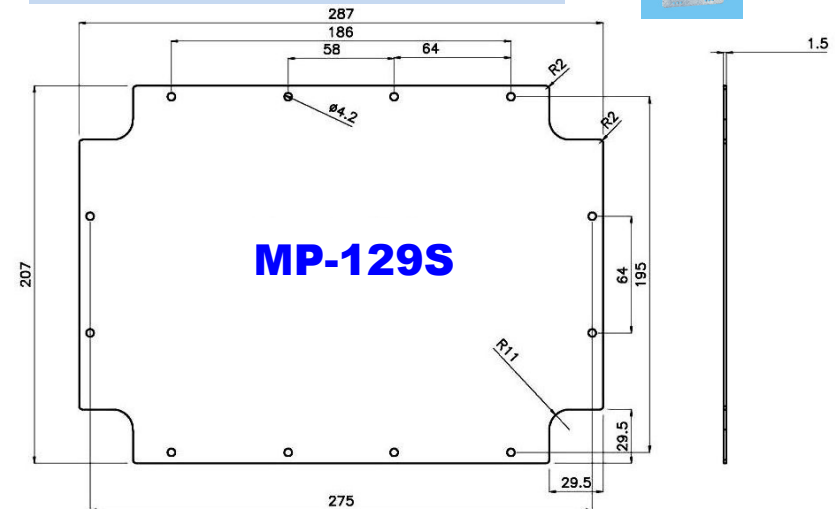
Internal Mounting Dimensions



External Dimensions



Optional Mounting Plate



All Dimensions are in Millimeters.

Optional Mounting Feet
Part # - MF-97

